

SPECIFICATION SHEET

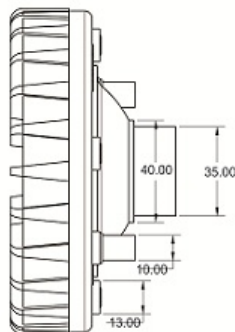
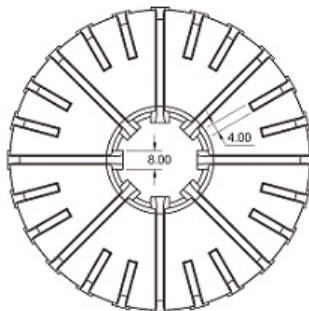
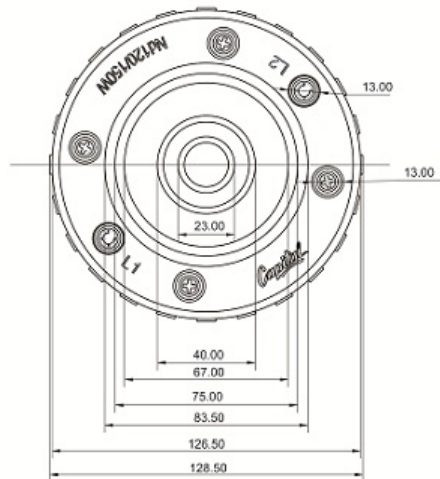
DriverUnit ND 120/150

Intensive development efforts and field trials by Capital Radio have resulted in highly economical driver units using best in quality Neodymium Magnets.

The ND 120/150 Watts driver unit is ideally suited to fit into any reflex or trumpet horn giving excellent frequency response, making them ideal for PA systems and outdoor playback. All Neodymium drivers Units are specially shaped, using phenolic diaphragms with a precision wound High Temperature withstanding capability voice coil on POLYIMIDE FILM former.

Overall construction provides:

1. High Output and Crispy sound Output.
2. Rugged and Dependable construction.
3. Weatherproof.
4. Wide Range frequency response.



Technical Specifications of ND 120/150 Driver Unit

Maximum Power	150 Watts
Rated Power	120 Watts
Throat Coupling	1-3/8" 18 TPI
Impedance	16 Ohms
O/P SPL	115 dB
Frequency Response	175 - 7000 Hz
Head Cover	Die Cast Aluminium
Magnet	Neodymium
Weight	1450 gms

The Master Carton size is 26" x 23" x 8.5" comprises of 15 units of Driver Unit ND120/150



Capital Radio Company, New Delhi-110020, India

